

SWITCHBOARD METER PANELS

EUSERC DWG. NO. 332

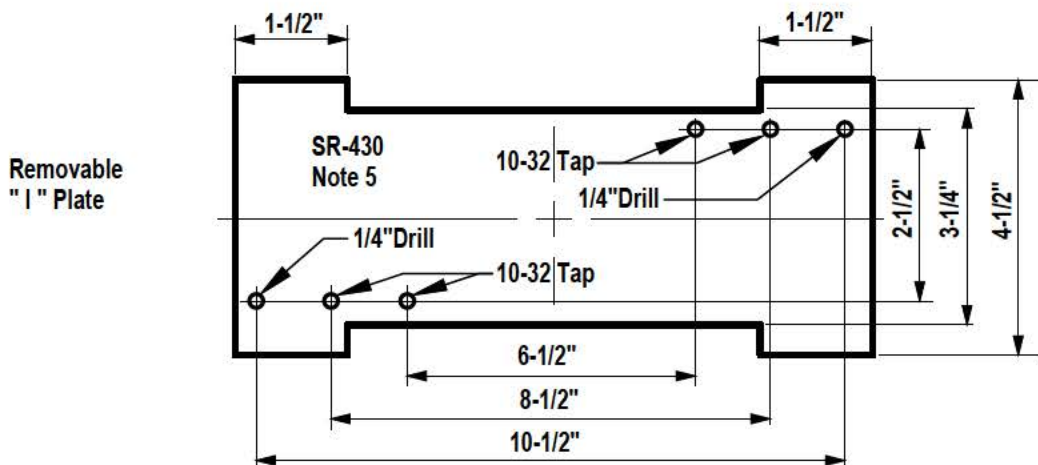
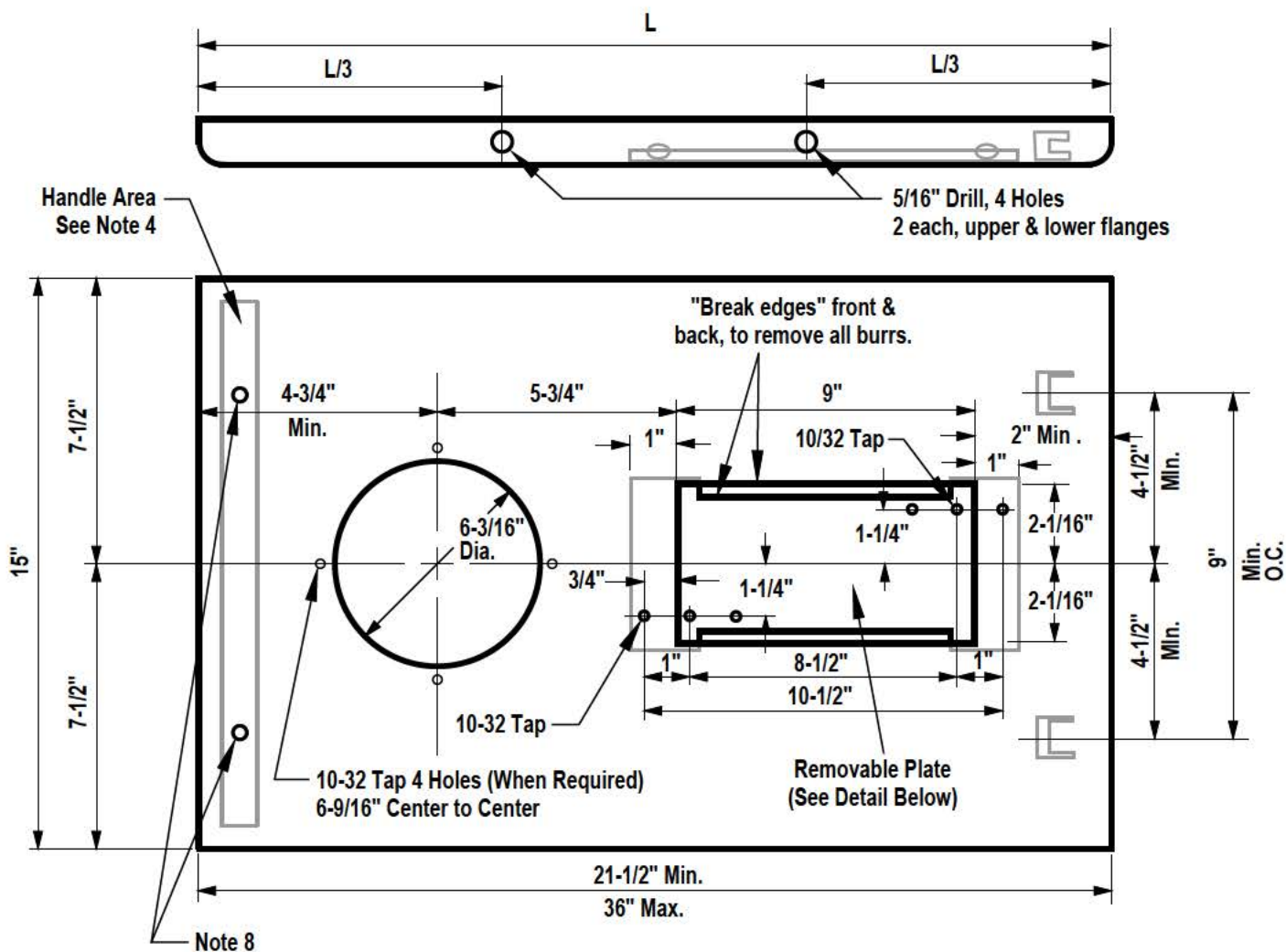


FIG. 1 - FOR ALL EXCEPT RATE 14, 90A CUSTOMERS.

See Notes, Page 3



INITIATED BY	SC
STANDARDS COMM.	10-81

REVISION NO.	5
STANDARDS COMM.	12-99
EFFECTIVE DATE	1-00

SR-438
Pg. 1 of 4

SWITCHBOARD METER PANELS

EUSERC DWG. NO. 333

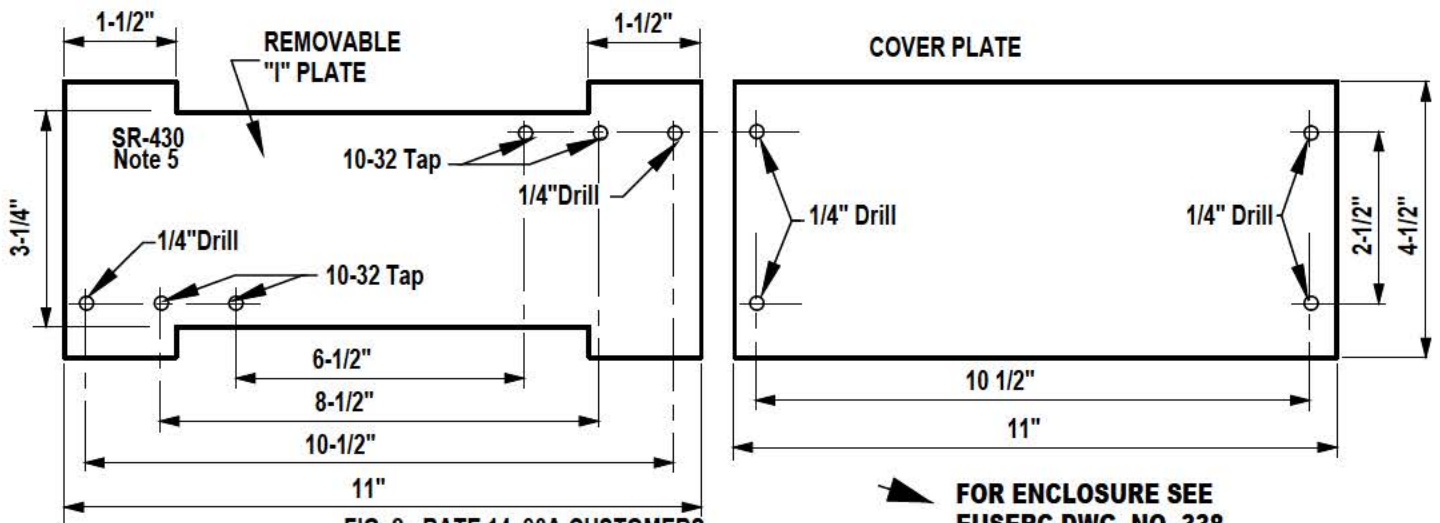
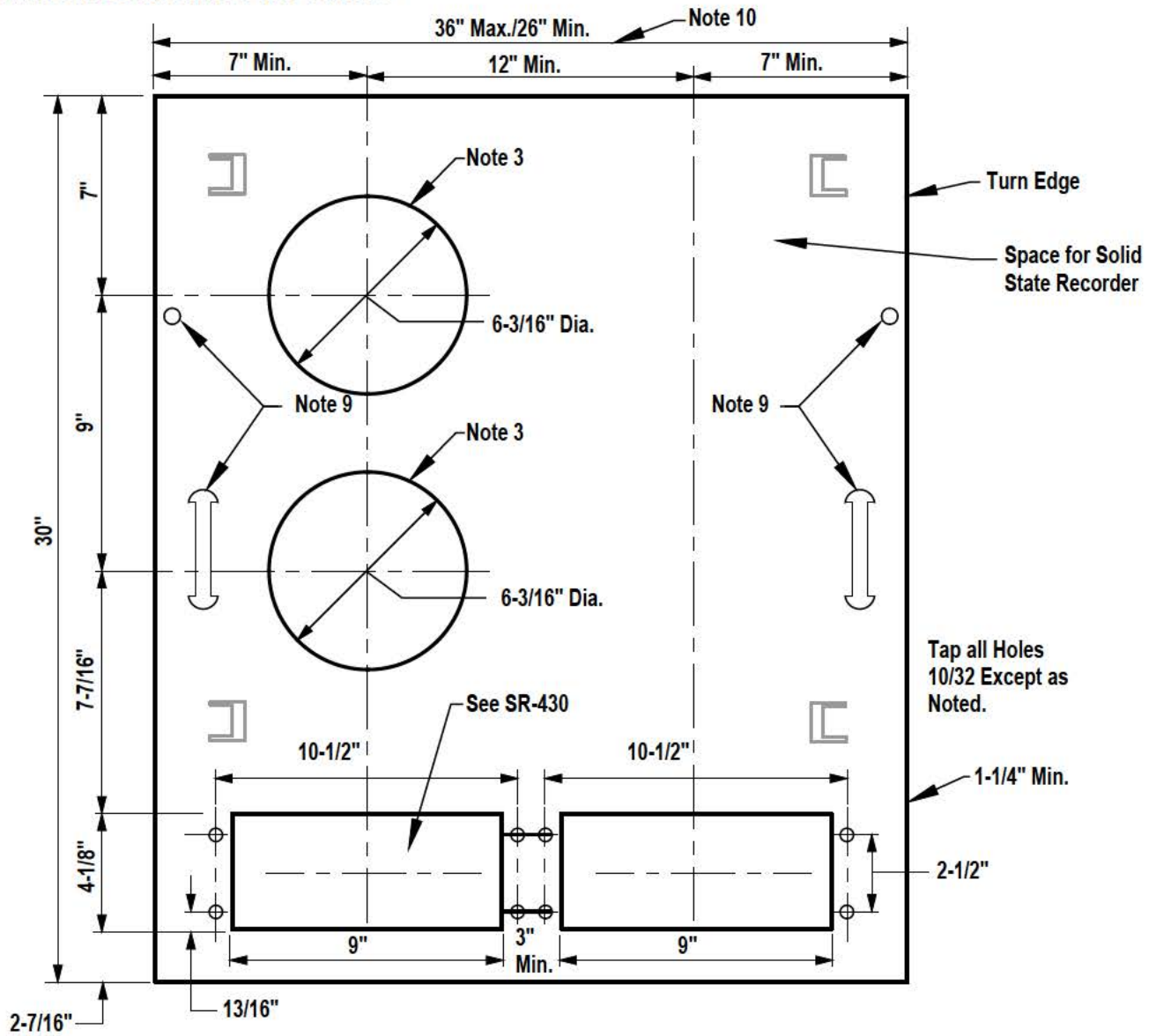
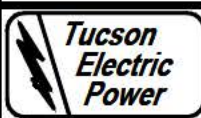


FIG. 2 - RATE 14, 90A CUSTOMERS

See Notes, Page 3



INITIATED BY	SC
STANDARDS COMM.	10-81

REVISION NO.	5
STANDARDS COMM.	1-03
EFFECTIVE DATE	1-03

SR-438
Pg. 2 of 4

Switchboard Meter Panels

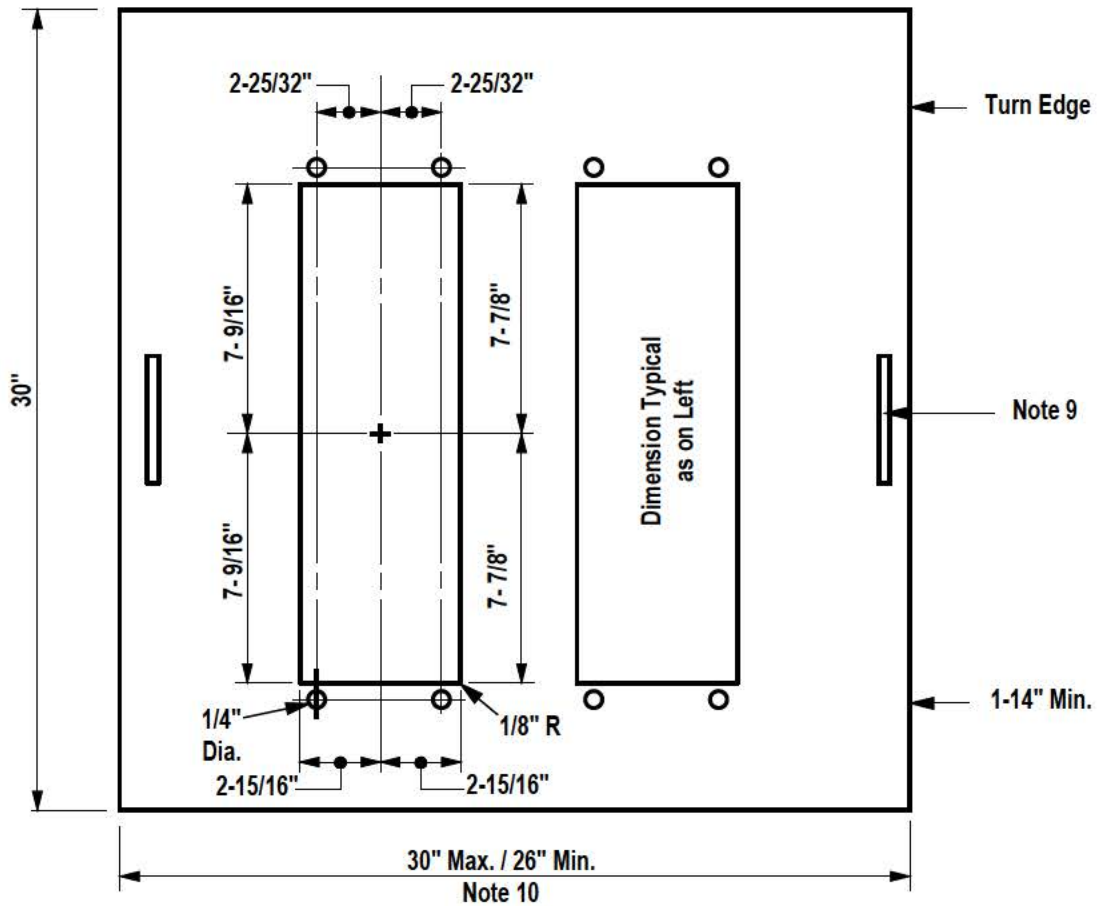


Figure 3 - Customers with Totalized Metering

Notes:

1. See SR- 430 for general requirements.
2. Meter panels shall be constructed of 12 gauge steel (minimum) and shall be hinged, reversible, sealable and interchangeable.
3. The switchboard manufacturer shall drill, tap and slot the panel as shown for secondary test switches and shall furnish and install sockets complete with sealing rings. Meter sockets installed on hinged panels shall be designed for back connection. Customer shall provide and install the appropriate test switch. **(Test switch not supplied by panel manufacturer)** See SR-430, Page 2.
4. Hinges shall be readily interchangeable, right to left, on the job site. When clevis type or removable pin type hinges are used, provision shall be made that pin can be removed from the top. Hinges must support a 25-pound load applied at unsupported end with 1/8" maximum sag when open. Meter panels shall not be hinged on filler or pull section panels.
5. A handle shall be attached at the unsupported end of the meter panel with a minimum clearance of 1" from the meter socket.

SWITCHBOARD METER PANELS

6. Meter Panels shall be capable of being opened 90° with meter and test facilities in place.
7. Removable plate(s) shall be secured to rear of panel by screw of such a length so as not to protrude through face of panel. Fig. 1 and Fig. 2 only.
8. All securing and sealing screws on panel shall be captive. Studs and wire nuts shall be sealable when used.

Additional Requirements for Rate 14, Rate 90A Customers:

9. Panel shall have handle attached to each side.
10. For panel width of less than 26", consult Design, Service Requirements & Service Delivery Department.
11. Customer shall provide a telephone line for transmitting metering data.
12. For totalized metering contact Design, Service Requirements & Service Delivery Department.



INITIATED BY	CS
STANDARDS COMM.	10-86

CS
10-86

REVISION NO.	1
STANDARDS COMM.	8-93
EFFECTIVE DATE	1-95

SR-438
Pg. 4 of 4