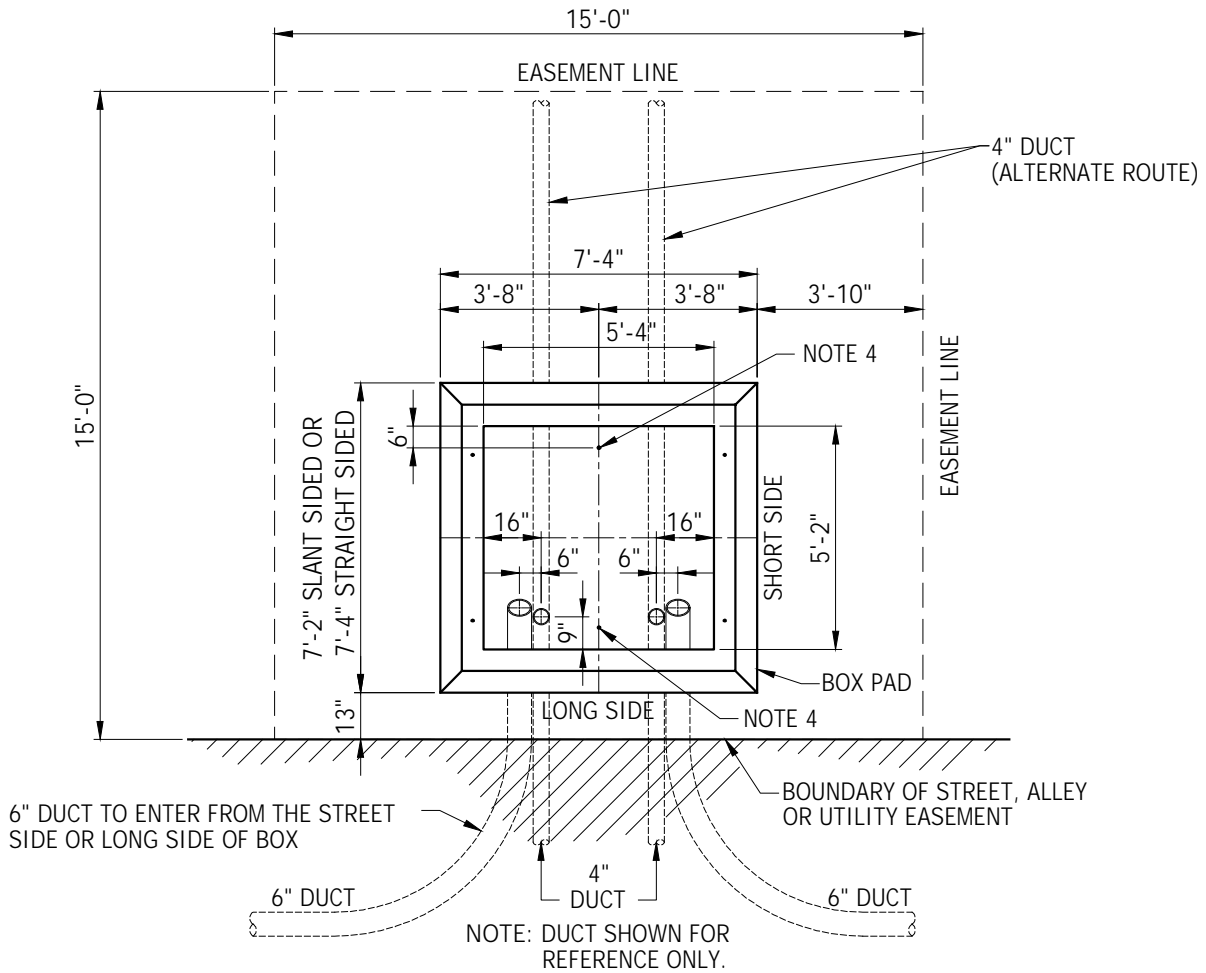


# BOX PAD INSTALLATION



## ITEMS TO BE PROVIDED AND INSTALLED BY CUSTOMER

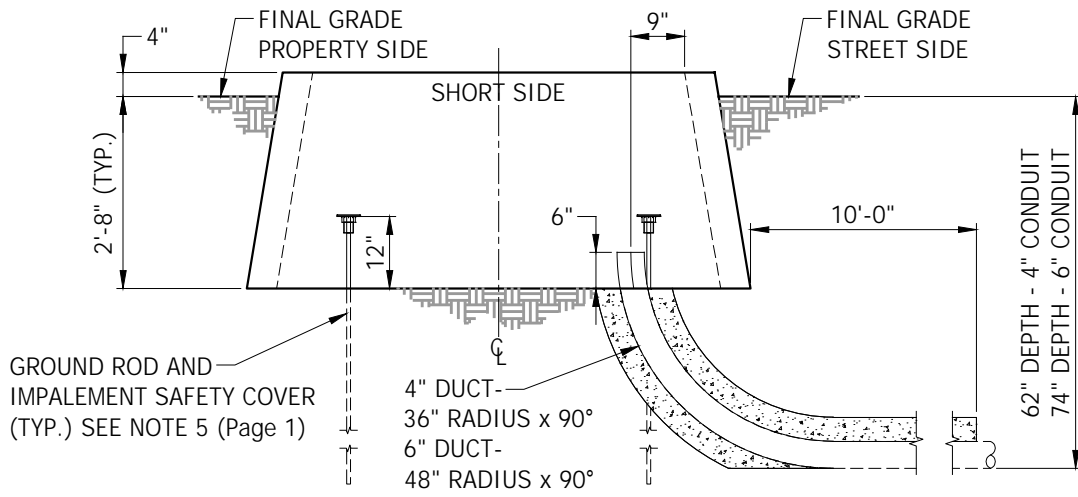
- ALL DUCTS REQUIRE 3 INCH MINIMUM TO 5 INCH MAXIMUM CONCRETE CAP WITHIN 10 FEET OF BOX PAD, AS SHOWN ON PAGE 2.
- PRIOR TO SETTING THE BOX PAD, THE BOTTOM OF THE EXCAVATION SHALL CONSIST OF A MINIMUM OF 3 INCHES OF SUITABLE MATERIAL GRADED LEVEL AND COMPACTED TO A MINIMUM RELATIVE DENSITY OF 95% OF MAXIMUM AT OPTIMUM MOISTURE CONTENT. SUITABLE BACKFILL SHALL BE PLACED IN 6 INCH LIFTS TO GRADE. EACH LIFT SHALL BE COMPACTED TO A MINIMUM RELATIVE DENSITY OF 95% OF MAXIMUM AT OPTIMUM MOISTURE CONTENT.
- BOX PAD - APPROVED MANUFACTURERS:
  - JENSEN PRECAST - SR-240 (CONCRETE) QUAZITE (STRONGWELL) PB74766267B36, 748-1607- TUCSON, AZ.
  - HAYDEN CONCRETE - SR-240 (CONCRETE) 520-682-2566 - TUCSON, AZ.
  - OLDCASTLE PRECAST- 6464 (CONCRETE) 480-963-2678 - CHANDLER, AZ.
- CUSTOMER TO PROVIDE AND INSTALL (2) 5/8" X 8'-0" GROUND RODS PRIOR TO CONCRETE BEING POURED. THE TOP 12 INCHES OF THE ROD SHALL EXTEND ABOVE SUB-GRADE. THE RODS SHALL BE LOCATED ALONG THE LEFT TO RIGHT CENTER LINE AND 6 INCHES INSIDE OF THE BOX PADS UPPER LIP.
- TWO (2) IMPALEMENT SAFETY COVERS, (PER FEDERAL OSHA 701 (B) AND CALIFORNIA OSHA #C1718AG AND OSHA 1723AG, FOR REBAR #3 & #8), SHALL BE INSTALLED ON GROUND RODS. REFER TO SUPPLIER BORDER STATES ELECTRIC.



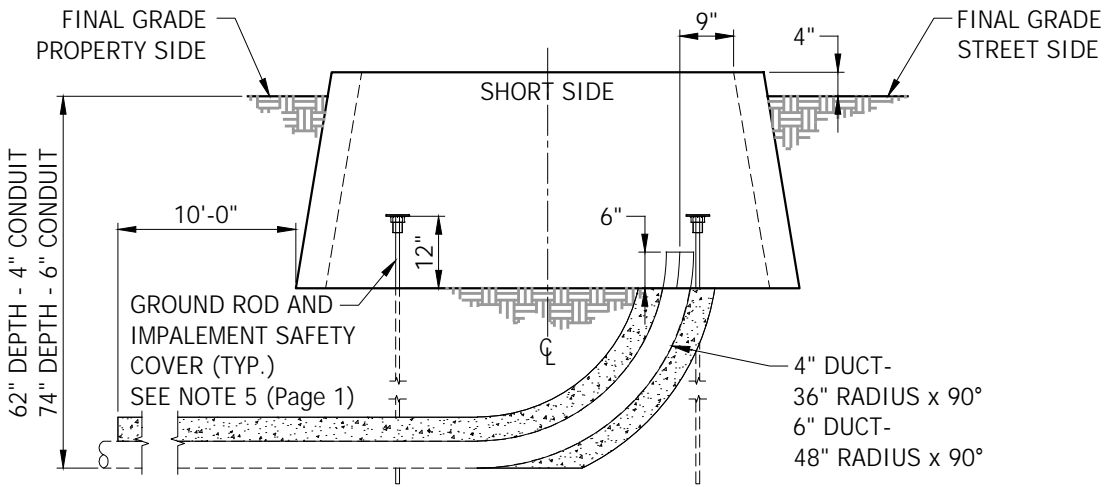
NOTE: BOX PAD IS STRAIGHT SIDED, OUTSIDE DIMENSION IS 7'-4" x 7'-4".

		INITIATED BY	SC	REVISION NO.	26	SR-240
		ESR COMM.	8-78	ESR COMM.	11-21	
				EFFECTIVE DATE	11-21	

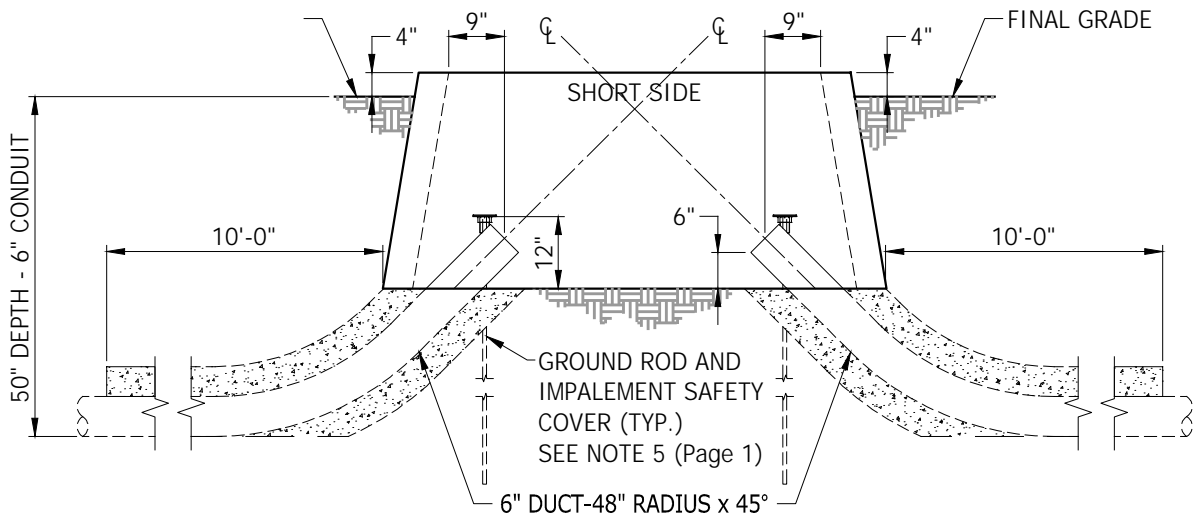
# BOX PAD INSTALLATION



DUCT LOCATION WHEN LEAVING TOWARD STREET/ALLEY/UTILITY EASEMENT  
6" DUCT WITH 90° SWEEP TO BE UTILIZED BY DESIGNERS REQUEST ONLY

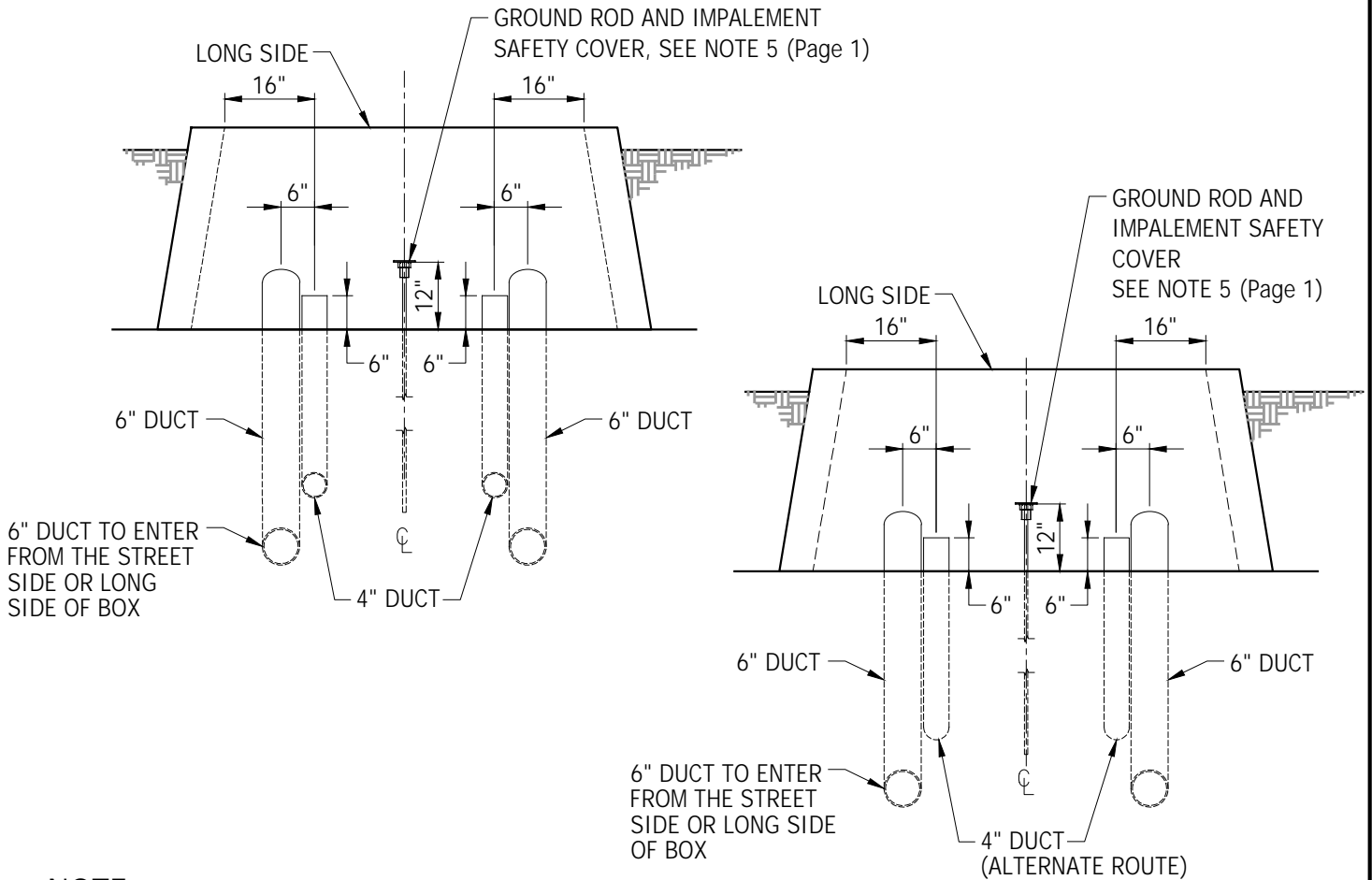
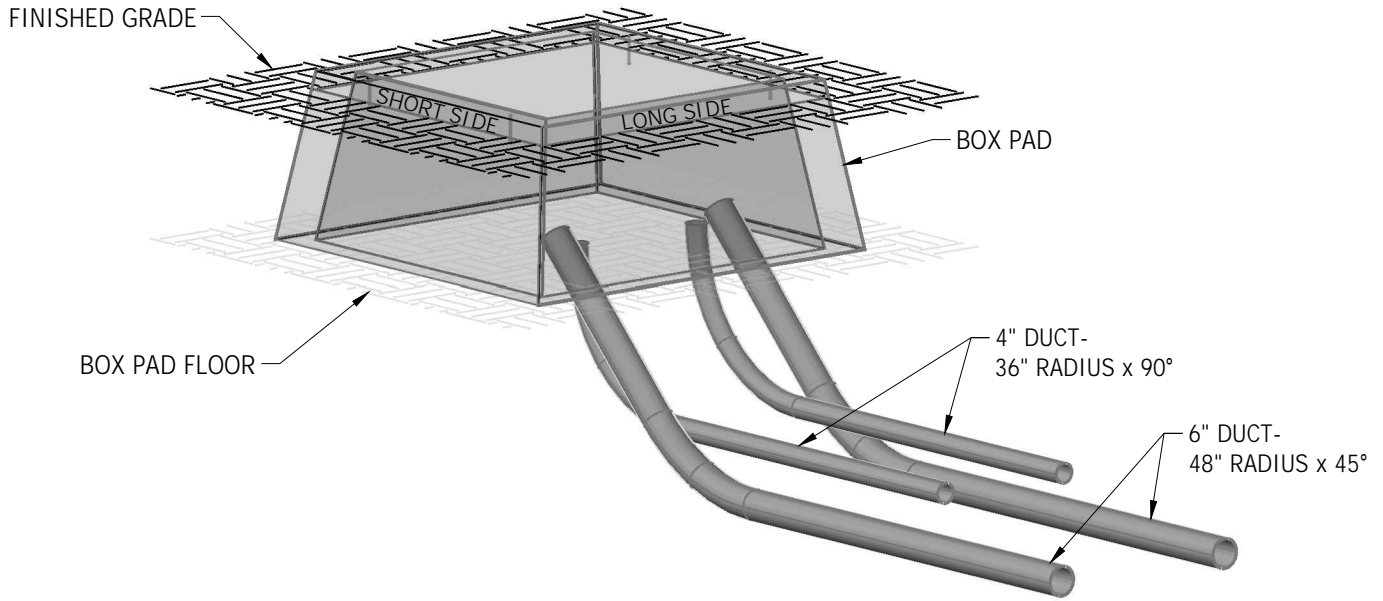


DUCT LOCATION WHEN LEAVING TOWARD PROPERTY  
6" DUCT WITH 90° SWEEP TO BE UTILIZED BY DESIGNERS REQUEST ONLY



DUCT LOCATION WHEN ENTERING & LEAVING TOWARD STREET/ALLEY/UTILITY EASEMENT

# BOX PAD INSTALLATION



**NOTE:**

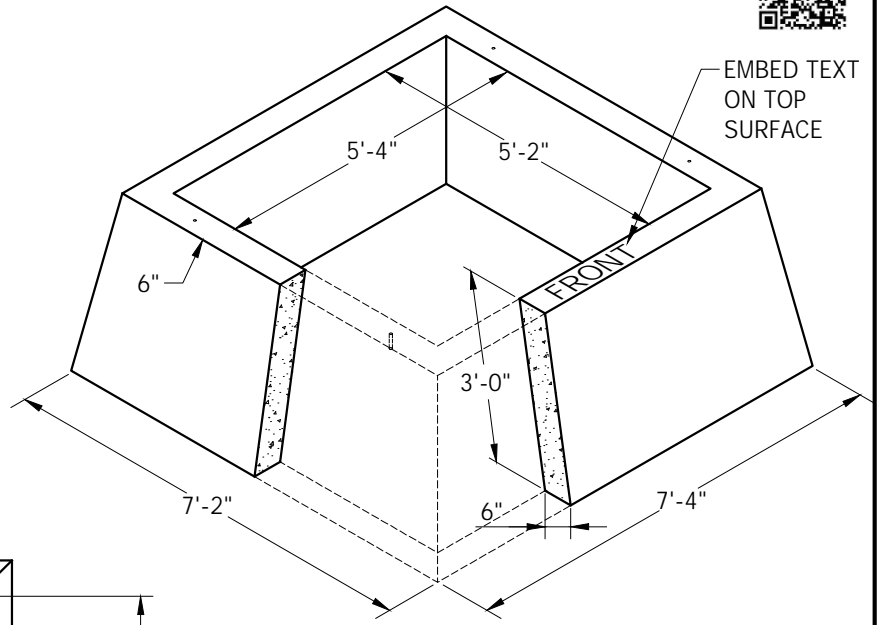
DUCT SHOWN FOR REFERENCE ONLY. FOR EXACT LOCATION AND DUCT SIZE (INCLUDING SWEEP(S) FOR FUTURE DUCT), SEE CONSTRUCTION DRAWING PREPARED BY DESIGN SERVICES. SWEEPS FOR FUTURE DUCT ARE TO BE EXTENDED ONE FOOT BEYOND THEIR CONCRETE ENCASEMENT FOR FUTURE ATTACHMENT.



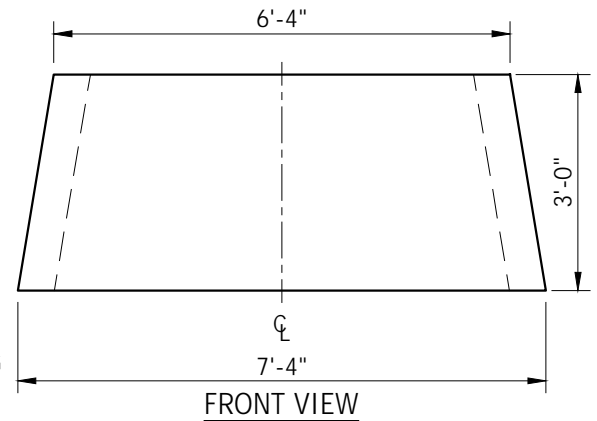
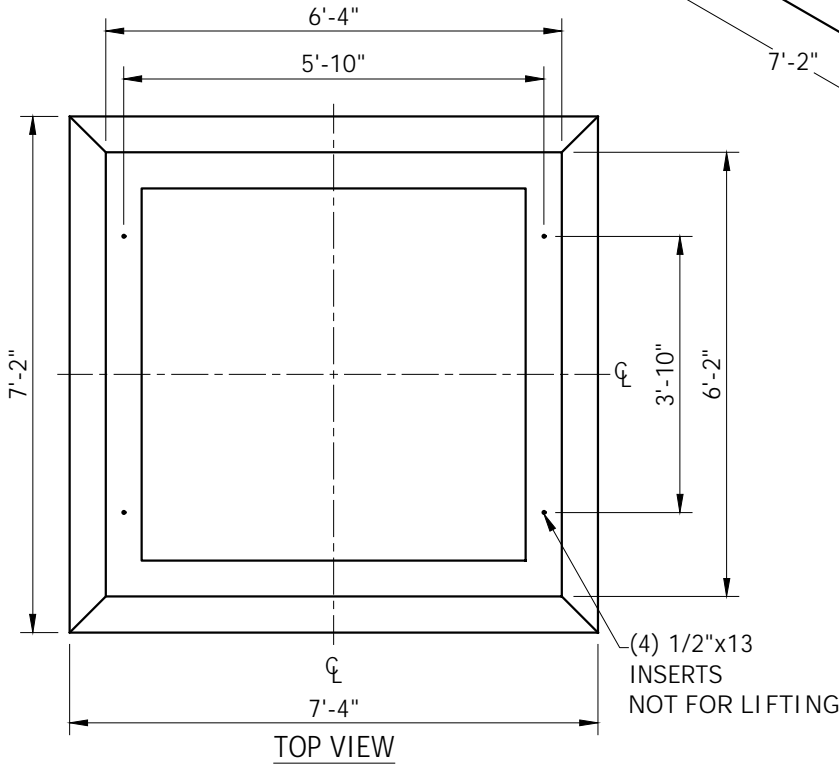
# BOX PAD INSTALLATION



EMBED TEXT ON TOP SURFACE



MATERIAL: PRECAST CONCRETE  
 WEIGHT: 5700 LBS.  
 STORES No: 7-48-1450

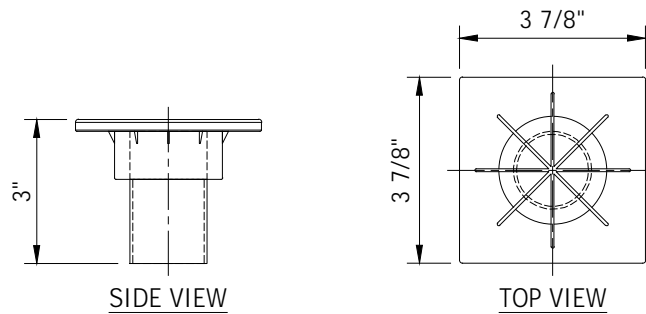


**NOTE:**

1. MANUFACTURER TO CHAMFER INSIDE AND OUTSIDE EDGES AT 45 DEGREES.

## IMPALEMENT SAFETY COVER

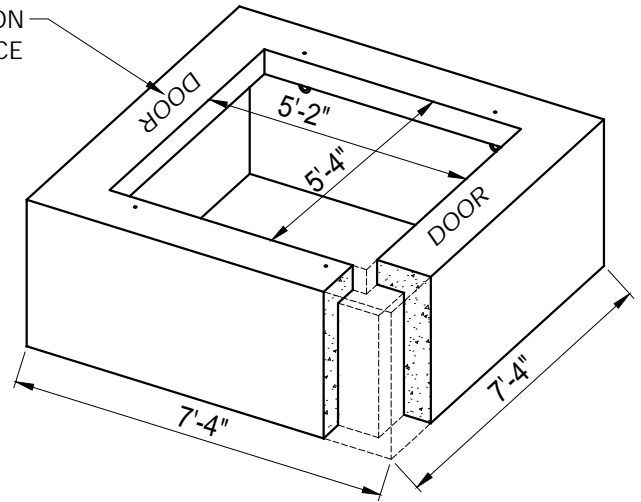
SEE NOTE 5 (Page 1)



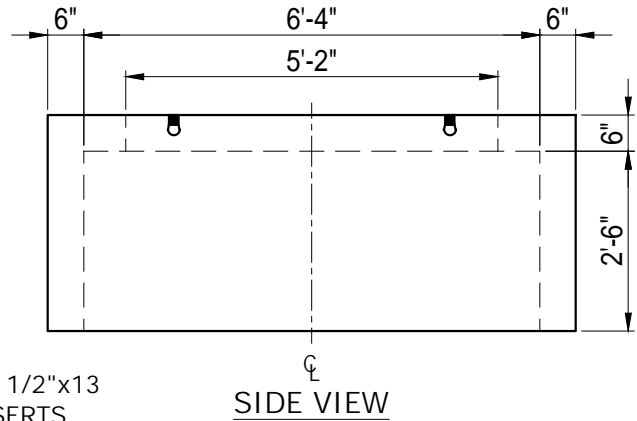
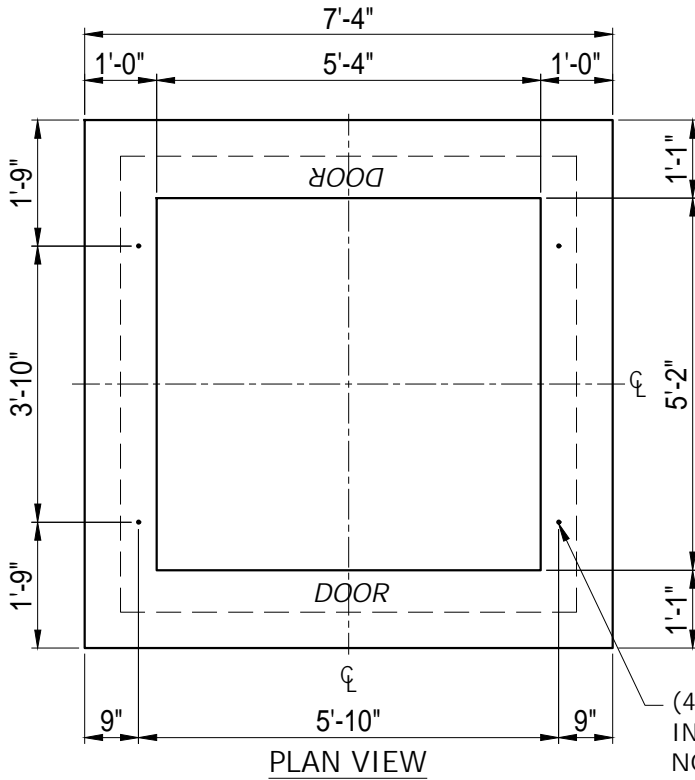
# BOX PAD INSTALLATION



EMBED TEXT ON TOP SURFACE



MATERIAL: PRECAST CONCRETE  
(STRAIGHT SIDED)  
WEIGHT: 7100 LBS.  
STORES No: 7-48-1450



**NOTE:**

1. MANUFACTURER TO CHAMFER INSIDE AND OUTSIDE EDGES AT 45 DEGREES.

## IMPALEMENT SAFETY COVER

SEE NOTE 5 (Page 1)

