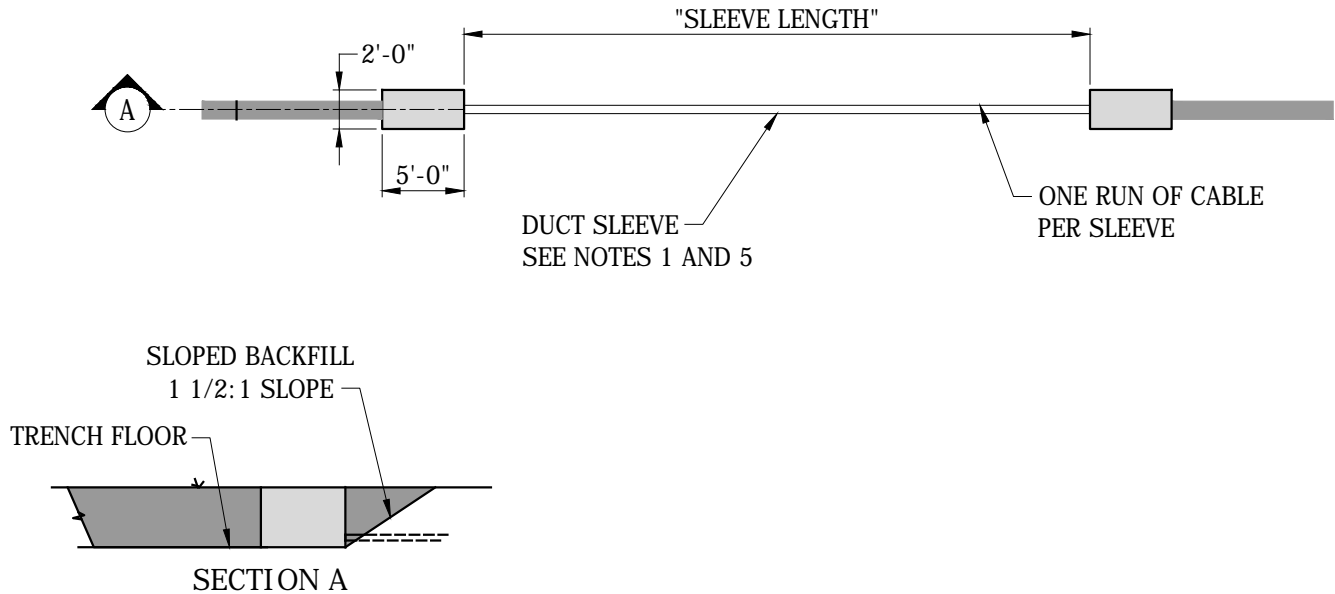


USE: SLEEVE WHEN TRENCH CAN NOT REMAIN OPEN. MUST BE COMPLETED AS CONTINUOUS DUCT SYSTEM.

SLEEVE INSTALLATION



NOTES:

1. WHERE A DUCT SYSTEM IS INSTALLED UNDER ROADS, DRIVEWAYS, DRAINAGEWAYS, ETC. FOR THE PURPOSE OF CABLE INSTALLATION, A 2 FT. X 5 FT. BELL HOLE MUST BE DUG AT EACH END OF THE DUCT TO ALLOW FOR COMPANY INSPECTION. THERE IS TO BE NO BENDING RADIUS IN THE DUCT SLEEVE.
2. OPEN ENDS OF DUCT SHALL BE PLUGGED, WITH AN APPROVED DUCT PLUG, TO KEEP DEBRIS, MUD AND DIRT FROM ENTERING THE DUCT.
3. DESIGN OF SLEEVE MUST COMPLY WITH SERVICE PROVIDERS CABLE PULLING REQUIREMENTS AND RECEIVE DESIGN AND INSTALLATION APPROVAL BY DESIGN SERVICES.
4. SEE SR-209, SR-215 AND/OR SR-312 FOR TRENCHING SPECIFICATIONS.
5. SEE SR-205 FOR APPROVED DUCT TYPES AND OPEN TRENCH INSTALLATION. IF A DIRECT BORE IS REQUIRED, APPROVED BORE-GARD AND HDPE DUCT SHALL BE USED FOR THE SECTION BORED. A BORING PROFILE REPORT SHALL BE PROVIDED UPON REQUEST. INSTALLATION DEPTH OF DUCT MUST BE VERIFIED BY DESIGN SERVICES FOR INSTALLATION TO BE APPROVED.
6. FOR EXISTING 5 INCH SLEEVES, THE 5 INCH DUCT SYSTEM MAY BE CONTINUED AFTER APPROVAL BY DESIGN SERVICES. THE 5 INCH DUCT WILL ONLY BE PERMITTED TO BE EXTENDED UNTIL REACHING A PIECE OF EQUIPMENT OR JUNCTION WHERE A TRANSITION CAN BE MADE TO 6 INCH DUCT. ANY 5 INCH DUCT USED FOR THIS PURPOSE MUST BE GREY PVC ELECTRICAL GRADE, SCHEDULE 40.